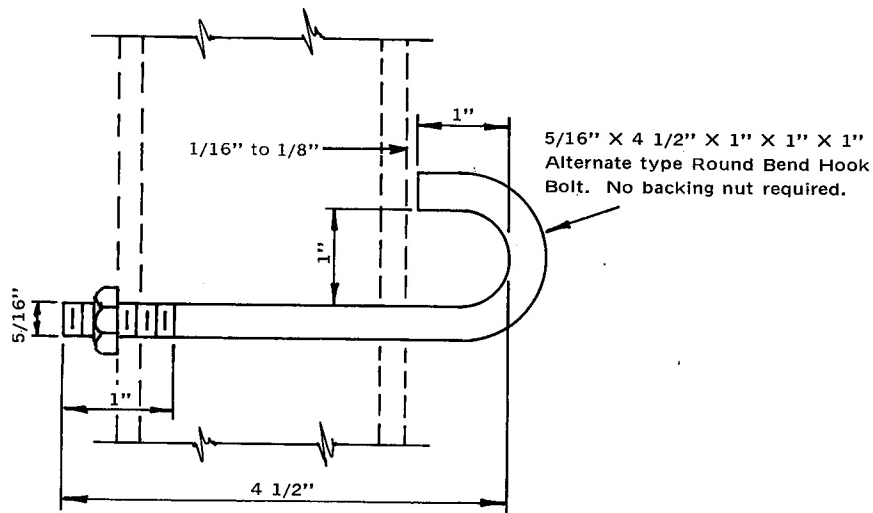


5/16" ϕ HOOK BOLT



ALTERNATE 5/16" ϕ HOOK BOLT

SPECIFICATIONS

Bolts shall conform to the requirements of A.S.T.M. A307 and nuts to the requirements of A.S.T.M. A563, Grade A or better, and shall be galvanized in accordance with A.S.T.M. A153 except when corrosion resistant steel bolts are requested in which case bolts and nuts shall be made of steel having an atmospheric corrosion resistance approximately two times that of carbon structural steel with copper and shall not be galvanized. Corrosion resistant bolts and nuts shall conform to or exceed the mechanical requirements of A.S.T.M. A307 and A563, Grade A, respectively.

Nuts shall be of the hex or heavy hex types.

Bolts, as installed, shall develop an ultimate pull open strength of from 500 pounds to 1000 pounds applied in a direction normal to the longitudinal axis of the post.

Dimensional tolerances not shown or implied are intended to be those consistent with the proper functioning of the part, including its appearance, and accepted manufacturing practices.

INTENDED USE

This bolt is for fastening wire ropes to posts in the standard guard-rail design G1.

5/16" HOOK BOLT

HM- TF-13

STANDARD

F-1 -76